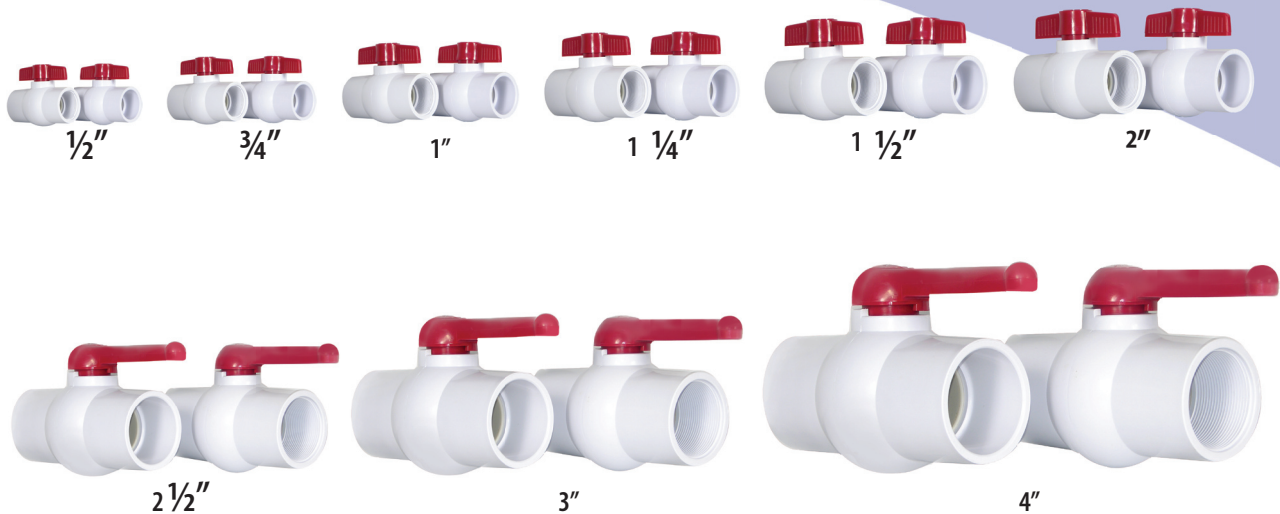


PVC BALL VALVES - THREAD OR SLIP



PVC BALL VALVES W/ LIST PRICE

Features

- Industrial Grade, Maintenance Free Design
- Molded valve connections have a radius at the socket entrance and at the socket seat for ease of gluing / threading and greater strength
- Fully ported opening
- One piece PVC molded body, Leak tested 100%
- Available with female NPT or slip / socket connections
- Applications include; Irrigation, Water Supply, Plumbing, Swimming Pool, Chemical Feed, Marine and Waste Water

Specifications

- Pressure Ratings;
 - 1/2" – 2" Valves rated at 200 psi @ 70°F
 - 2 1/2" – 4" Valves rated at 150 psi @ 70°F
- Temperature Operating range is from 41°F to 122°F
- EPDM seat and O-ring, ABS handle

Part Number		Size	Case Qty.	List Price
Threaded	Slip			
BVT-005	BVS-005	1/2"	300	\$ 1.50
BVT-007	BVS-007	3/4"	200	\$ 2.25
BVT-010	BVS-010	1"	120	\$ 3.35
BVT-012	BVS-012	1 1/4"	80	\$ 5.05
BVT-015	BVS-015	1 1/2"	50	\$ 6.70
BVT-020	BVS-020	2"	36	\$ 10.35
BVT-025	BVS-025	2 1/2"	20	\$ 23.60
BVT-030	BVS-030	3"	11	\$ 38.25
BVT-040	BVS-040	4"	6	\$ 78.50

HIT PRODUCTS CORPORATION
 556 S. Mirage Avenue • P.O. Box 929 • Lindsay, CA 93247
 TEL (559) 562-5975 • FAX (559) 562-6626 • EMAIL sales@hitproductscorp.com

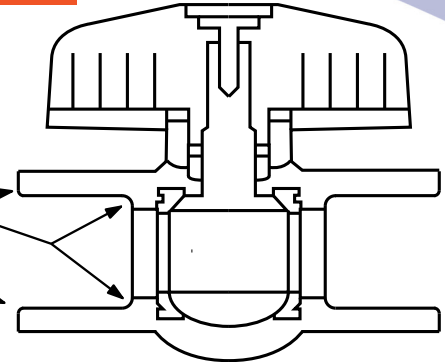
SPECIFICATIONS

PVC BALL VALVES W/ LIST PRICES

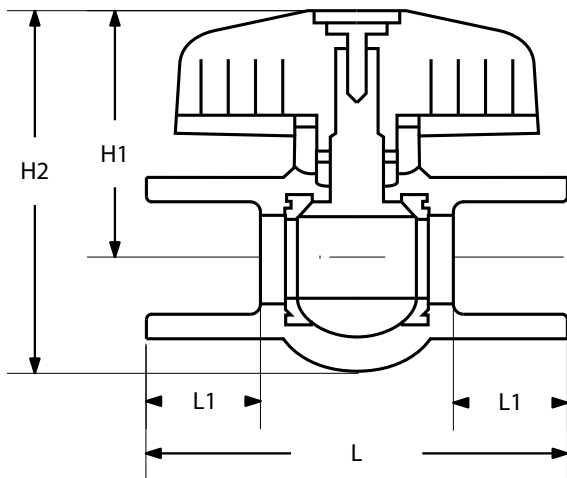
Unique Features

A molded radius at the bottom of the socket provides extra strength and integrity to the valve body

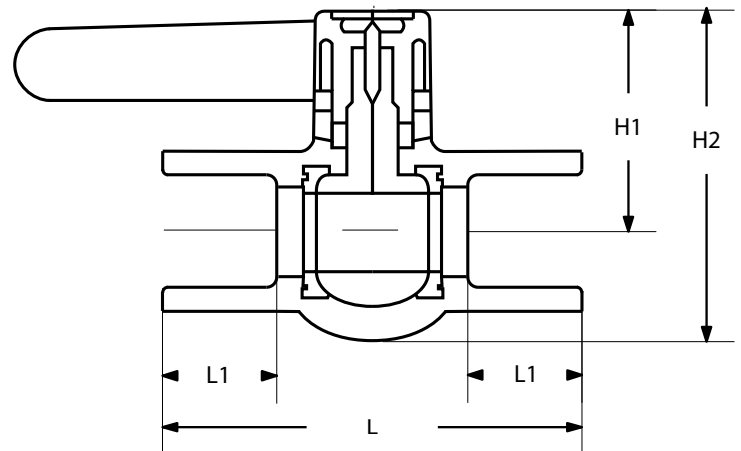
Socket entrance with radius facilitates easier solvent welding and connection reliability



Part Number		Size	Dimensions			
Threaded	Slip		L	L1	H1	H2
BVT-005	BVS-005	1/2"	3	0.87	1.98	2.49
BVT-007	BVS-007	3/4"	3.45	0.90	2.11	3.02
BVT-010	BVS-010	1"	3.91	1.00	2.21	3.42
BVT-012	BVS-012	1 1/4"	4.35	1.06	2.45	3.82
BVT-015	BVS-015	1 1/2"	5.00	1.20	2.97	4.26
BVT-020	BVS-020	2"	5.75	1.50	3.43	5.10
BVT-025	BVS-025	2 1/2"	6.82	1.57	3.91	6.53
BVT-030	BVS-030	3"	9.38	2.50	4.42	7.42
BVT-040	BVS-040	4"	10.38	2.56	5.05	8.23



1/2" - 2" Configuration



2" - 4" Configuration