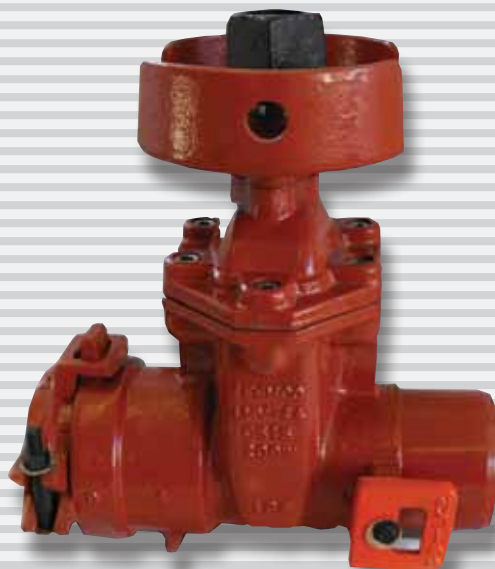




G
A
T
E
V
A
L
V
E
S



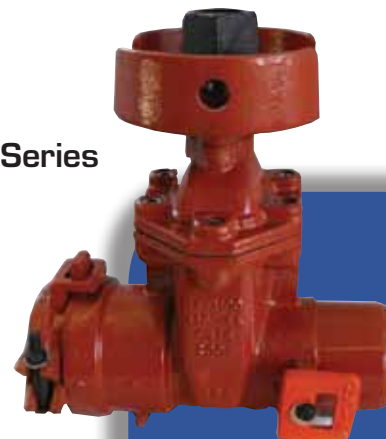
Self Restrained, Resilient Wedge Gate Valves

All Leemco, Inc. resilient wedge gate valves come in both spigot-by-bell and bell-by-bell versions. The spigot-by-bell version inserts easily into all Leemco fittings. The other side of the valve has a restraint system built into the valve body. Installation is easy and a thrust block is not required.

The bell-by-bell gate valves are configured with a restraint system built into both sides of the valve. These restraints make installation a snap and do not require the use of thrust blocks. Leemco gate valves are non-rising stem style and conform to AWWA C-515 standards, rated for 250 PSI. All ductile iron parts are coated with fusion bonded epoxy that exceeds AWWA C550 standards.

Leemco bell-by-bell and spigot-by-bell resilient wedge gate valves all come with the proprietary Leemco restraint system built in. These valves come in sizes ranging from 2" to 12". There are also several unique size combinations manufactured by Leemco for special design criteria. These valves are all spigot-by-bell and come in 2"x3", 2.5"x3", and 3"x4".

LMV SB Series



LMV BB Series

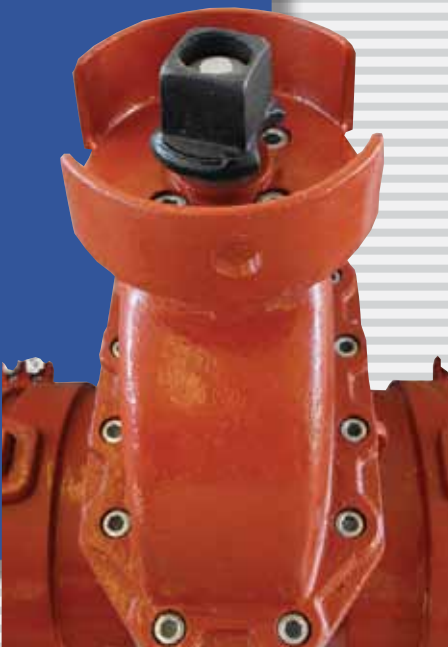




All Leemco spigot-by-bell resilient wedge gate valves can be installed directly into a fitting, SB series, or inline, BB series, as a mainline isolation valve. The SB series can also be installed in a Leemco L90, as shown here, to make the transition from the mainline to sub main. These transitions can be made in 2", 2.5", 3", and 4".



Gate valves are one of the most time consuming and difficult items to install. Leemco has solved this problem. Everything needed to secure a gate valve to a ductile iron fitting and PVC pipe is included. Installation is as simple as "plug, tighten, and go." When assembled above ground the two opposing holes in the valve shroud can be used to lift and place the valve and fitting in the ground.

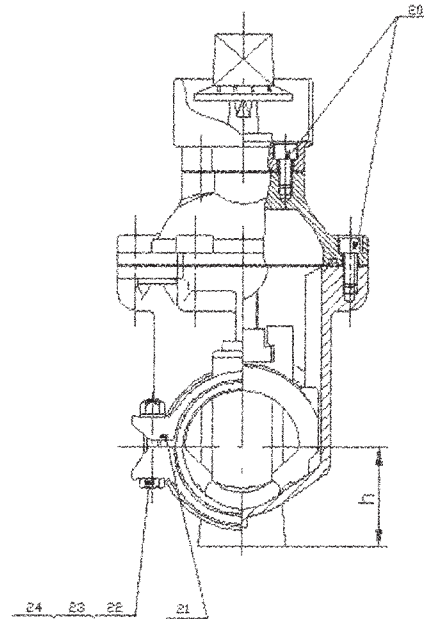
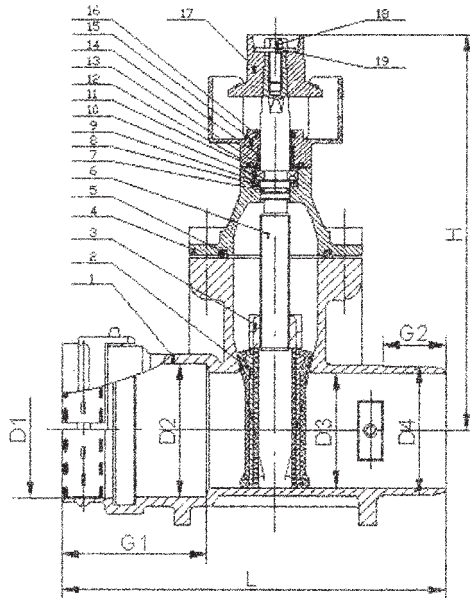


Leemco gate valves are provided with a shroud around the 2" operating nut that receives a 6" IPS pipe that forms a dirt-free chamber for easy access to the operating nut. The hex head bolts allow easy interior access.

Specification:

All mainline valves shall be resilient wedge and conform to AWWA standards. Gate valves shall be spigot x bell and bell x bell with restrained ends to mechanically attach to fittings and PVC and HDPE pipe. Valves shall have a shroud around the operating nut to provide dirt-free access to actuate the valve. All mainline valves shall be as manufactured by Leemco, Inc. U.S.A.

Leemco Self-Restrained Resilient Wedge Gate Valves 2"-12" Spigot x Bell and Bell x Bell



Part	Specification	Part	Specification
1 Valve Body	Ductile Iron, ASTM A-546	13 O-Ring	EPDM, ASTM D 2000
2 Resilient Wedge	Ductile Iron, ASTM A-546 EPDM	14 Spacer	Nylon 1010
3 Stem (Wedge) Nut	Bronze ATSM B 584	15 Gland Flange	Ductile Iron, ASTM A-546
4 Bonnet	Ductile Iron, ASTM A-546	16 Gasket	EPDM, ASTM D 2000
5 Bonnet Gasket	EPDM, ASTM D 2000	17 Square Operating Nut	Ductile Iron, ASTM A-546
6 Stem	Stainless Steel ASTM 276	18 Hex Head Bolts	ASTM A 574M Zinc Plated
7 Stem O-Ring	EPDM, ASTM D 2000	19 Washer	ASTM A 574M Zinc Plated
8 Lower thrust Washer	Nylon 1010	20 Hex Head Bolts	ASTM A 574M Zinc Plated
9 Flat Washer	EPDM, ASTM D 2000	21 Hex Head Bolts	ASTM A 574M Zinc Plated
10 Split Ring	Stainless Steel ASTM 276	22 Clamp	Ductile Iron, ASTM A-546
11 Flat Washer	Stainless Steel ASTM 276	23 Hex Head Bolts	ASTM A 574M Zinc Plated
12 O-Ring	EPDM, ASTM D 2000	24 Nut	Stainless Steel ASTM 276
		25 Flat Washer	Stainless Steel ASTM 276

SIZE	SPIGOT X BELL		BELL X BELL		DIMENSIONS (INCHES)							
	MODEL	L	MODEL	L	H	h	G1	G2	D1	D2	D3	D4
2x2	LMV-11SB	11.1	LMV-11BB	11.7	10.2	1.9	3.0	2.4	2.6	2.6	2.0	2.4
2x3	LMV-13SB	12			9.8	2.8	3.3	2.4	3.7	3.7	2.0	2.4
2.5x2.5	LMV-22SB	11.8	LMV-22BB	11.8	11.0	2.3	3.0	2.6	3.1	3.1	2.6	2.9
2.5x3	LMV-23SB	12.2			11.0	2.8	3.3	2.6	3.7	3.7	2.6	2.9
3x3	LMV-33SB	12.9	LMV-33BB	19.1	12.9	2.8	4.3	2.8	3.7	3.5	3.1	3.5
3x4	LMV-34SB	14.5	LMV-34BB	22.5	12.9	3.1	5.1	2.8	4.8	3.5	3.1	3.5
4x4	LMV-44SB	14.2	LMV-44BB	22.0	13.8	3.1	5.1	3.0	4.8	4.5	3.9	4.5
6x6	LMV-66SB	18.1	LMV-66BB	27.1	17.4	4.3	6.2	3.5	6.9	6.6	5.9	6.6
8x8	LMV-88SB	20.8	LMV-88BB	30.7	20.7	5.5	7.2	3.9	9.1	8.6	7.9	8.6
10x10	LMV-1010SB	22.7	LMV-1010BB	34.7	24.9	6.9	7.7	4.3	11.1	10.7	9.8	10.7
12x12	LMV-1212SB	25.0	LMV-1212BB	37.3	27.5	7.9	8.6	4.7	13.1	12.7	11.8	12.7

Leemco, Inc
360 South Mount Vernon Drive, Colton, CA 92324
Phone (909) 422-0088 Fax (909) 422-0086
www.leemco.com

